

## Product datasheet

**Mechanical eco leveller**

**Type: PECO2**

**Load capacity: 60 kN**

**Contact:**



Ronnenberger Straße 20  
D-30989 Gehrden

phone +49 (0) 5108 879 270  
fax +49 (0) 5108 879 2710

info@promstahl.de  
www.promstahl.de

# Contents

- General information .....3
- Overview .....3
- Surface treatment .....3
- Painting .....3
- PECO2 type R .....4
- Buffer options for the PECO2 mini-dock type R .....5
- Accessories .....5

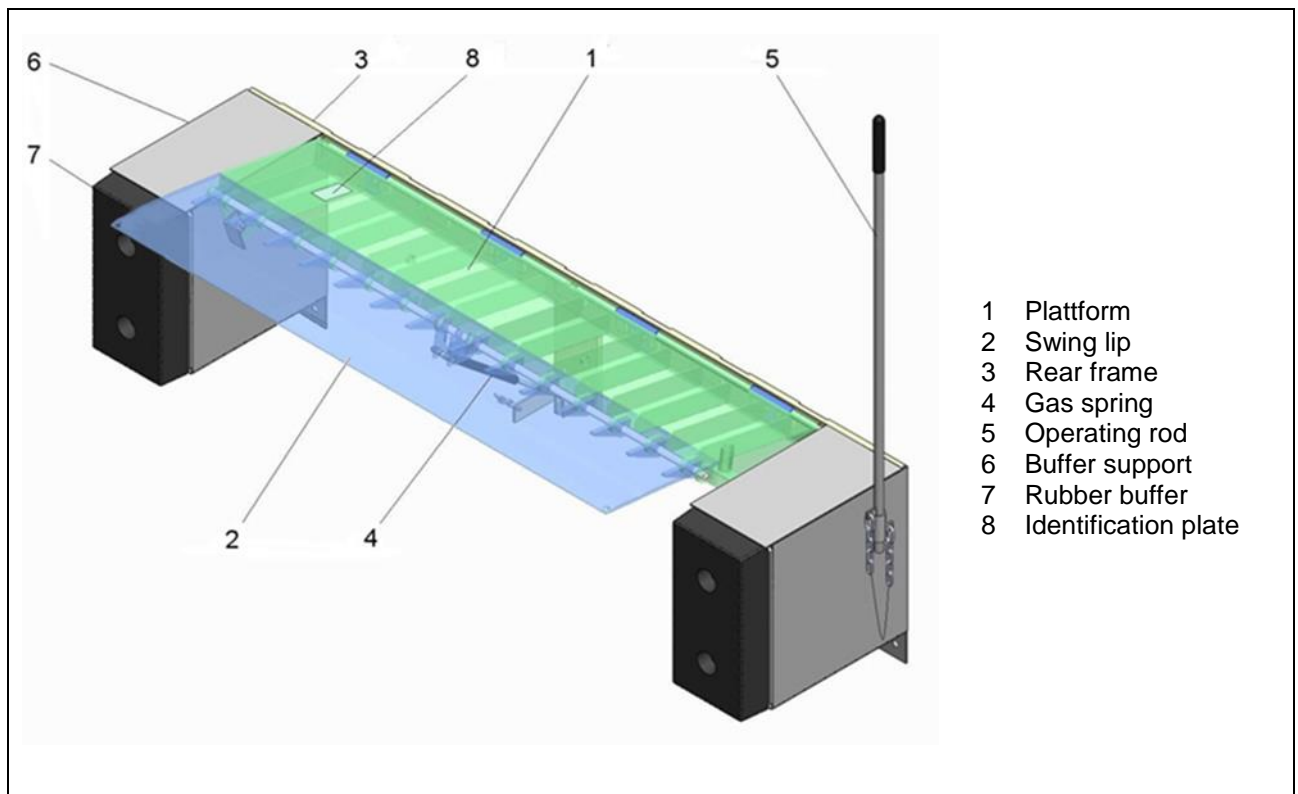
## General information

The PECO2 mechanical eco leveller (PROMStahl ECONOMICAL) belongs to PROMStahl's wide product range and is especially suited for loading and unloading vehicles with beds the height of which only slightly differs from that of the dock. The PECO2 leveller is therefore the perfect solution for fleets with vehicles of nearly identical lorry bed heights.

Fast installation and the possibility to integrate it into already existing loading situations are among the big advantages of this leveller. The PECO2 leveller is mechanically operated by means of a gas spring so that it can be handled by just one person without any problems: the platform is lifted with the swing lip automatically swinging out in its uppermost position and coming to rest on the lorry bed. During the loading and unloading process the PECO2 leveller is in its automatic floating position, i.e. it follows the height fluctuations of the vehicle. When the leveller is in its resting position, the platform is in a slightly slanted position.

The PECO2 leveller meets the requirements of the latest European standard (DIN EN 1398).

## Overview

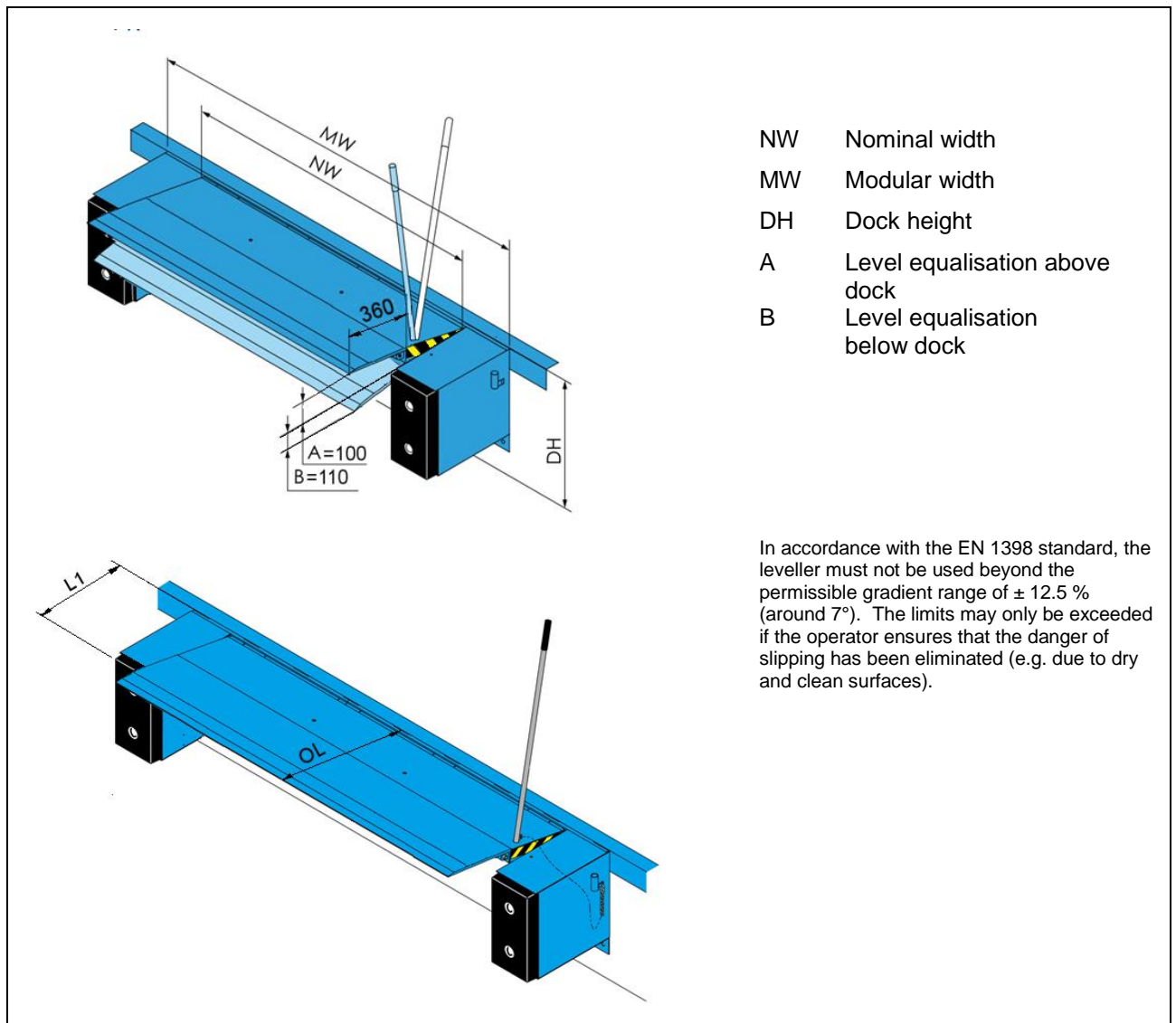


## Surface treatment

### Painting

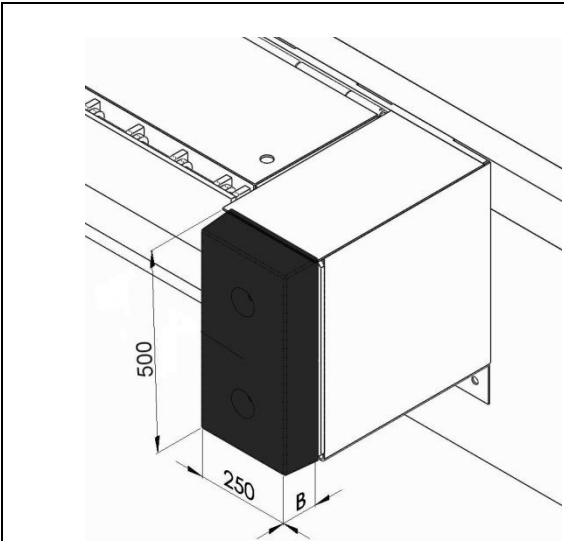
Standard RAL colours are RAL 5010, RAL 7016 and RAL 9005 in a layer thickness of 80 µm (corrosion protection class C2-M). Further RAL colours and layer thicknesses of up to 160 µm (corrosion protection class C3-H) are available as an option. To increase corrosion protection, the dock leveller can also be delivered with hot-dip galvanized steel parts.

## PECO2 type R



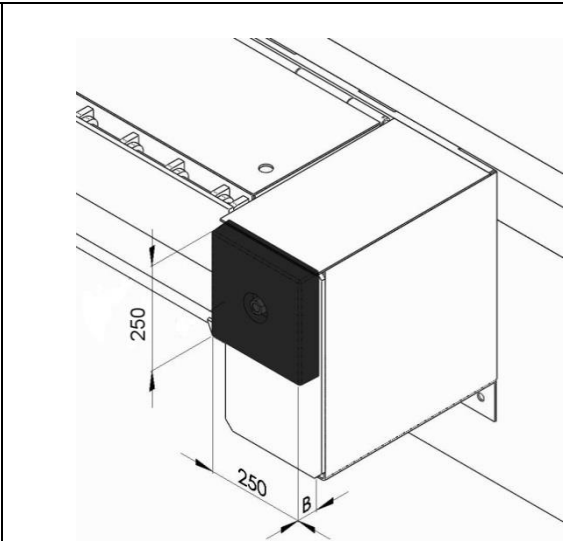
	Typ "R"		
Overall length of the leveller with the hinge lip swung out (OL in mm)	760		
Lip length [mm]	360		
L1 (length of the buffer structure + buffer thickness; in mm)	545 (PBGP 500 x 250 x 90) 545 (PEHD 500 x 250 x 50)		
Contact depth in the truck (Distance between the buffer and the swung out hinge lip in mm)	215 (PBGP 500 x 250 x 90) 215 (PEHD 500 x 250 x 50)		
Nominal width (NW) [mm]	1750	2000	2250
Modular width (MW) [mm]	2300	2550	2800
Load capacity [kN]	60		

# Buffer options for the PECO2 mini-dock type R



Options:

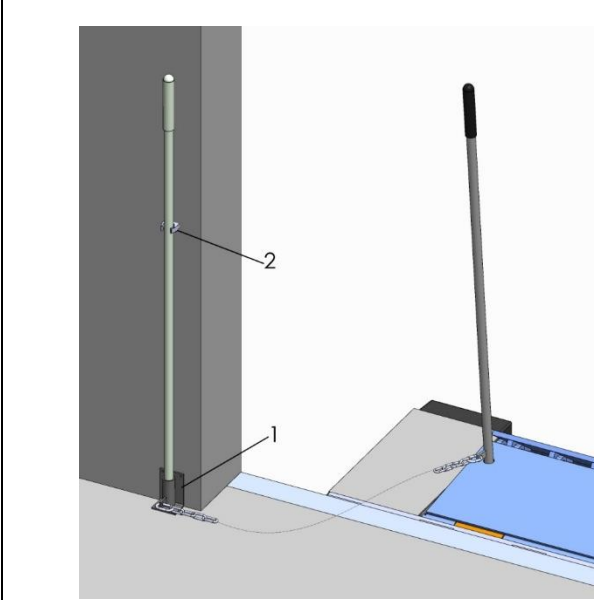
- 1. Rubber buffer: PBGP 500x250xB (90)
- 2. Polyethylene buffer: PEHD 500x250xB (50)



Options:

- 1. Rubber buffer: PBGP 250x250xB (90)
- 2. Polyethylene buffer: PEHD 250x250xB (50)

## Accessories



- 1 Support for operating rod
- 2 Fixing element

A wall thickness of  $B < 240$  mm requires two additional support elements and a console.

